

Soupape série 102 RWC



Soupape de sécurité pour eau potable série 102 RWC - 1/2" - Fx FBSP - 6 bars

Réf PREL102001 **29.52€^{TTC*}**

<https://www.domomat.com/495879-soupape-de-securite-chauffage-serie-101-rcw-12-fxf-3-bars-rcw-prel102001.html>

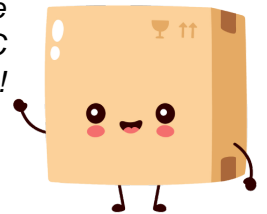


Soupape de sécurité pour eau potable série 102 RWC - 3/4" - Fx FBSP - 6 bars

Réf PREL102031 **43.20€^{TTC*}**

<https://www.domomat.com/495881-soupape-de-securite-chauffage-serie-101-rcw-12-fxf-3-bars-rcw-prel102031.html>

*Retrouvez tous les produits de la catégorie
Soupape de sécurité RWC
chez Domomat !*



* : Prix sur le site Domomat.com au 20/10/2024. Le prix est susceptible d'être modifié.

102 Series Potable Water Pressure Relief Valve

Discharges water off the system at a set pressure in the event of cold water over pressurisation to a unvented cylinder

Overview

Reliance Valves 102 Series Potable Water Pressure Relief Valves are designed to protect an unvented system from over pressurisation. The valves are Pre-set and locked to a particular pressure, and if the system exceeds this pressure, the valve will lift off the seat and water will discharge from the valve to the waste. This is the first safety device in line within an unvented system.

The pressure relief valves are designed with a single piece cartridge and are available in different pressures ranging from 3.5 - 8 bar, as well as multiple connection sizes to allow for flexible installation.

Features & benefits

- Rapid removal of single-piece cartridge for cleaning or replacement
- Diaphragm design gives improved resistance against scale
- Protects against over pressurisation
- Multiple connections for flexible installation
- Set relief pressure range from 3.5 - 8.0 bar
- Suitable for cold water use only

Standards & approvals

WRAS Approved

BS EN 1491

Product code	Pressure	Size
PREL102014	3.5 bar	1/2" FxFBSP
PREL102008	5.0 bar	1/2" FxFBSP
PREL102001	6.0 bar	1/2" FxFBSP
PREL102004	8.0 bar	1/2" FxFBSP
PREL102040	3.5 bar	1/2" MxFBSP
PREL102041	5.0 bar	1/2" MxFBSP
PREL102042	6.0 bar	1/2" MxFBSP
PREL102043	8.0 bar	1/2" MxFBSP
PREL102009	3.5 bar	1/2" MBSP x 15mm
PREL102003	5.0 bar	1/2" MBSP x 15mm
PREL102005	6.0 bar	1/2" MBSP x 15mm
PREL102044	8.0 bar	1/2" MBSP x 15mm

Materials

Body	DZR brass
Diaphragm	EPDM
Seal	EPDM
Spring	Stainless steel
Cap	High grade glass fibre reinforced plastic



Specifications

Body test pressure	20.0 bar
Maximum temperature	140°C max
Pre-set pressure range	3.5 - 8.0 bar

Product code	Pressure	Size
PREL102045	3.5 bar	3/4" FxFBSP
PREL102046	5.0 bar	3/4" FxFBSP
PREL102031	6.0 bar	3/4" FxFBSP
PREL102047	8.0 bar	3/4" FxFBSP
PREL102048	3.5 bar	3/4" MxFBSP
PREL102118	5.0 bar	3/4" MxFBSP
PREL102018	6.0 bar	3/4" MxFBSP
PREL102024	8.0 bar	3/4" MxFBSP
PREL102020	3.5 bar	3/4" MBSP x 22mm
PREL102049	5.0 bar	3/4" MBSP x 22mm
PREL102027	6.0 bar	3/4" MBSP x 22mm
PREL102050	8.0 bar	3/4" MBSP x 22mm

Spares & accessories

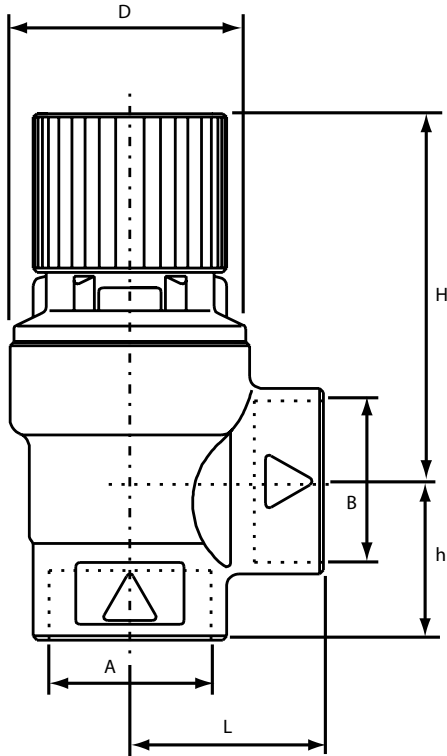
ZRC214031	3.5 bar	Replacement pressure relief valve cartridge
ZRC214048	5.0 bar	Replacement pressure relief valve cartridge
ZRC214004	6.0 bar	Replacement pressure relief valve cartridge
ZRC214009	8.0 bar	Replacement pressure relief valve cartridge

All with blue caps and suitable for both 1/2" and 3/4" valves



102 Series Potable Water Pressure Relief Valve

Dimensions – All measurements in mm unless otherwise stated



Model	A	B	L	D	H	h
1/2" Fx FBSP	1/2" FBSP	1/2" FBSP	35	31	46	21
1/2" Mx FBSP	1/2" FBSP	1/2" MBSP	25	31	46	30
1/2" MBSP x 15mm	1/2" MBSP	15mm	25	31	46	30
3/4" Fx FBSP	3/4" FBSP	3/4" FBSP	30	31	48	27
3/4" Mx FBSP	3/4" MBSP	3/4" FBSP	30	31	48	36
3/4" MBSP x 22mm	3/4" MBSP	22mm	37	31	48	36

Discharge rating

Pressure setting (bar)	Discharge Rating (m ³ /h)	
Inlet size	1/2"	3/4"
4.0	2.8	3.0
4.5	3.0	3.2
5.0	3.1	3.4
5.5	3.3	3.6
6.0	3.4	3.7
7.0	3.7	4.0
8.0	4.0	4.3
9.0	4.2	4.6
10.0	4.4	4.8

