

Soupape de sécu - PREL103003



**Soupape de sécurité chauffage avec
manomètre série 103 RWC - 1/2"**

FxFBSP - 3 bars

Réf PREL103003

66.24€^{TTC*}

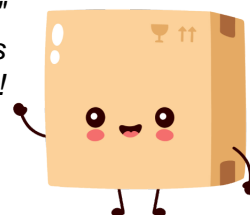
Voir le produit :

<https://www.domomat.com/495875-soupape-de-securite-chauffage-serie-101-rwc-12-fxf-3-bars-rwc-prel103003.html>

Le produit Soupape de sécurité chauffage avec manomètre série 103 RWC - 1/2"

FxFBSP - 3 bars

est en vente chez Domomat !



103 Series Sealed Heating System Pressure Relief Valve with Gauge

Discharges water off the system at a set pressure in the event of heating system over pressurisation

Overview

Reliance Valves 103 Series Sealed Heating System Pressure Relief Valve with gauge is most commonly used as a safety mechanism within sealed heating systems.

The pressure relief valve is set to the correct pressure upon installation. When the pressure rises within the system and the set pressure is reached, the pressure release valve opens and discharges into the atmosphere. This prevents the pressure within the system from reaching dangerous levels that could damage the system and be harmful to anyone in the immediate vicinity.

Features & benefits

- Diaphragm design gives improved resistance to scaling and extends lifespan
- Straightforward removal of single-piece cartridge allows access to seat for cleaning or cartridge replacement
- Set relief pressure range from 2.0 bar - 3.0 bar gives flexibility of system design
- Available with FSBP or MBSP/FBSP connections for complete installation flexibility
- Suitable for heating applications only

Product code	Description	Pressure	Size
PREL103003	Sealed heating system pressure relief valve with gauge	3.5 bar	1/2"FBSP x 1/2"FBSP

Specifications

Set pressure	3.0 bar
Operating temperature	140°C max
Test pressure of body	25.0 bar
Gauge	0.0 - 4.0 bar

Materials

Body	Hot pressed DZR brass
Diaphragm	EPDM elastomer
Seal	EPDM elastomer
Spring	Spring steel wire - corrosion protected
Internals	OT58 brass
Twist cap	High grade glass fibre reinforced plastic

Discharge rating

Pressure Setting (bar)	1.5	2.0	2.5	3.0
Discharge Rating (m3/h)	2.8	3.0	9.5	14.3

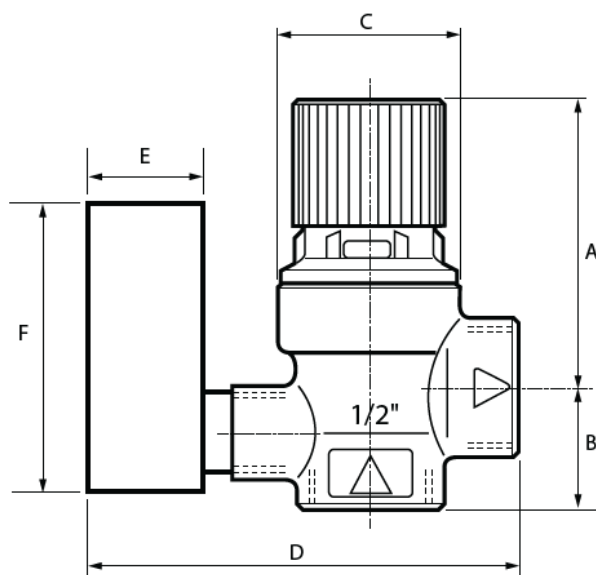
The table above shows the discharge rate in m3/h of the pressure relief valve at the specified pressure settings (in bar).



How to specify

Pressure relief valve at pre-determined set opening pressure which is supplied with 1/2" FBSP inlet and outlet and integral pressure gauge. Include correct product range code.

Dimensions – All measurements in mm unless otherwise



A	B	C	D	E	F
48.5	20.5	31	82	26	50

