

## Soupape série 101 RWC



**Soupape de sécurité chauffage série 101 RWC - 1/2" - FxFBSP - 3 bars**

Réf PREL101003 **27.00€<sup>TTC\*</sup>**

<https://www.domomat.com/495868-soupape-de-securite-chauffage-serie-101-rwc-12-fxf-3-bars-rwc-prel101003.html>

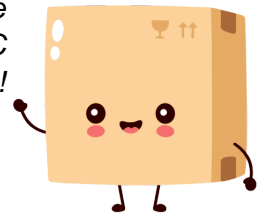


**Soupape de sécurité chauffage série 101 RWC - 3/4" - FxFBSP - 3 bars**

Réf PREL101013 **43.20€<sup>TTC\*</sup>**

<https://www.domomat.com/495874-soupape-de-securite-chauffage-serie-101-rwc-12-fxf-3-bars-rwc-prel101013.html>

*Retrouvez tous les produits de la catégorie  
Soupape de sécurité RWC  
chez Domomat !*



\* : Prix sur le site Domomat.com au 20/10/2024. Le prix est susceptible d'être modifié.

# 101 Series Sealed Heating System Pressure Relief Valve

Discharges water off the system at a set pressure in the event of heating system over pressurisation

## Overview

Reliance Valves 101 Series Sealed Heating System Pressure Relief Valves are most commonly used as a safety mechanism within sealed heating systems.

The pressure relief valve is set to the correct pressure upon installation. When the pressure rises within the system and the set pressure is reached, the pressure release valve opens and discharges into the atmosphere. This prevents the pressure within the system from reaching dangerous levels that could damage the system and be harmful to anyone in the immediate vicinity.

## Features & benefits

- Diaphragm design gives improved resistance to scaling and extends lifespan
- Straightforward removal of single-piece cartridge allows access to seat for cleaning or cartridge replacement
- Set relief pressure range from 2.0 bar - 3.0 bar gives flexibility of system design
- Available with FSBP or MBSP/FBSP connections for complete installation flexibility
- Suitable for heating applications only

## Materials

<b>Body</b>	Hot pressed DZR brass
<b>Diaphragm</b>	EPDM elastomer
<b>Seal</b>	EPDM elastomer
<b>Spring</b>	Spring steel wire - corrosion protected
<b>Internals</b>	OT58 brass
<b>Cap</b>	High grade glass fibre reinforced plastic

Product code	Pressure	Size
PREL101001	2.0 bar	½" FxFBSP
PREL101002	2.5 bar	½" FxFBSP
PREL101003	3.0 bar	½" FxFBSP
PREL101015	2.0 bar	½" MxFBSP
PREL101024	2.5 bar	½" MxFBSP
PREL101016	3.0 bar	½" MxFBSP
PREL101011	2.0 bar	¾" FxFBSP
PREL101012	2.5 bar	¾" FxFBSP
PREL101013	3.0 bar	¾" FxFBSP
PREL101014	2.0 bar	¾" MxFBSP
PREL101027	2.5 bar	¾" MxFBSP
PREL101027	3.0 bar	¾" MxFBSP

PREL101-002-0622



## Specifications

<b>Set relief pressure range</b>	2.0 bar - 3.0 bar
<b>Operating temperature</b>	140°C max
<b>Test pressure of body</b>	25.0 bar

## Spares & accessories

<b>ZRC209020</b>	2.0 bar	Replacement pressure relief cartridge
<b>ZRC209021</b>	2.5 bar	Replacement pressure relief cartridge
<b>ZRC214043</b>	3.0 bar	Replacement pressure relief cartridge

All with red cap, and suitable for both ½" and ¾" valves

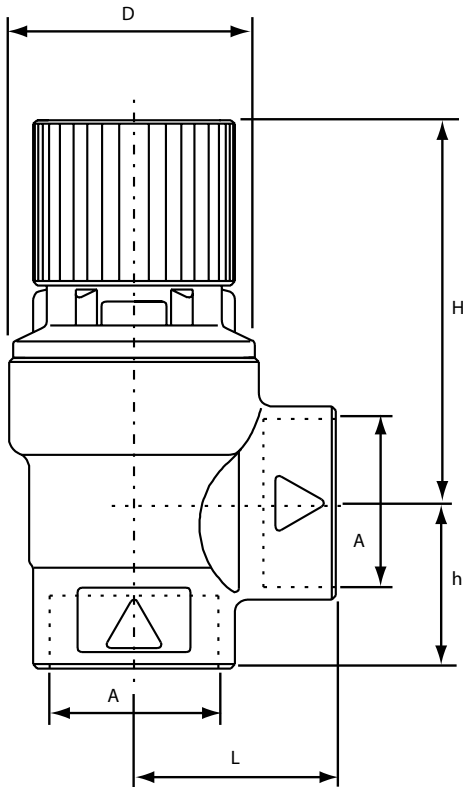
## How to specify

Pressure relief valve of one piece replaceable cartridge design, suitable for protection from over-pressurisation in heating systems. Incorporates a twist-top mechanism for optional manual operation, and an indicated outlet pressure. Include correct product range code.



# 101 Series Sealed Heating System Pressure Relief Valve

**Dimensions** – All measurements in mm unless otherwise stated



Model	A	L	D	H	h
1/2" Models	1/2"	25	31	49	20.5
3/4" Models	3/4"	29	31	52	26.5

### Discharge rating

Pressure setting (bar)	Discharge Rating (m3/h)	
Inlet size	1/2"	3/4"
2.0	3	3.2
2.5	3.1	3.4
3.0	3.3	3.6
1.5	2.8	3.0

