

Réducteur de pression Easiset 320



Réducteur de pression Easiset 320 - RWC - 1/2" FBSP - 45°C - 16 bars

Réf PRED320001 **73.93€^{TTC*}**

<https://www.domomat.com/495866-reducteur-de-pression-easiset-320-rwc-12-fbsp-45c-16-bars-rwc-pred320001.html>

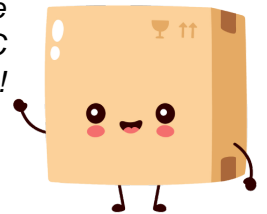


Réducteur de pression Easiset 320 - RWC - 3/4" FBSP - 45°C - 16 bars

Réf PRED320005 **75.24€^{TTC*}**

<https://www.domomat.com/495867-reducteur-de-pression-easiset-320-rwc-34-fbsp-45c-16-bars-rwc-pred320005.html>

Retrouvez tous les produits de la catégorie
Réducteur et régulateur de pression RWC
chez Domomat !



* : Prix sur le site Domomat.com au 20/10/2024. Le prix est susceptible d'être modifié.



EASISSET® 320 PRESSURE REDUCING VALVE

Cold water up to 45°C

PRED320001	1/2" FBSP
PRED320005	3/4" FBSP
PRED320003	1/2" MBSP union
PRED320011	3/4" MBSP union
PRED320010	15mm compression
PRED320015	22mm compression
SBPRED320001	15mm push-fit
SBPRED320005	22mm push-fit

Hot water up to 80°C

PRED320050	1/2" FBSP
PRED320055	3/4" FBSP
PRED320051	1/2" MBSP union
PRED320056	3/4" MBSP union
PRED320060	15mm compression
PRED320065	22mm compression
SBPRED320050	15mm push-fit
SBPRED320055	22mm push-fit

OVERVIEW

A high quality pressure reducing valve incorporating a unique easy-to-use 'lift and turn' adjustment mechanism. All working components are contained in cartridge form. Available with SharkBite metal push-fit connections for even quicker installation.



WATER CONTROLS FOR A MODERN WORLD

RELIANCE

TEMPERATURE
CONTROL

FLOW
CONTROL

HEATING SYSTEM
COMPONENTS

WASHROOM
SYSTEMS

HEATING & COOLING
DISTRIBUTION SYSTEMS

PLUMBING
SYSTEMS

EASIS20 320 PRESSURE REDUCING VALVE

FEATURES AND BENEFITS

- High flow rate design
- ‘Lift and Turn’ mechanism for ease of pressure adjustment
- One-piece Easiset cartridge
- Fully serviceable strainer
- Can be installed in any orientation
- MBSP connection complete with union fitting for ease of servicing
- Drop tight valve, controls the pressure under both flow and no flow conditions
- Single gauge port on the base of valve

SPECIFICATIONS

Maximum working pressure: 16.0 bar
 Adjustable set pressure: 1.5-5.5 bar
 Pressure reduction ratio: 10:1
Maximum working temperatures:
 Cold water version: 45°C
 Hot water version: 80°C

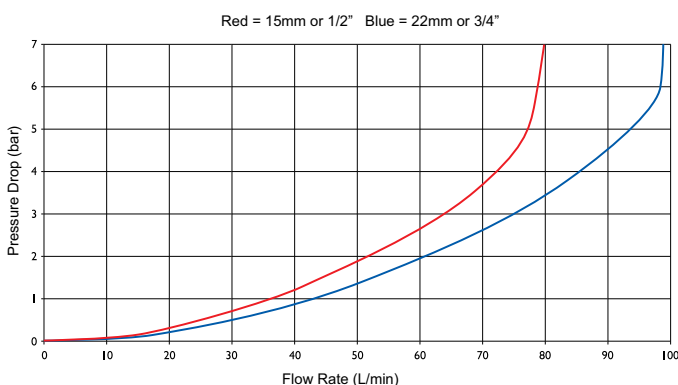
MATERIALS

Body: DZR brass
 Internal components: DZR brass
 Seals: EPDM and NBR
 Spring: Zinc plated spring steel
 Strainer: Stainless steel
 Diaphragm: EPDM
 Cover: Glass filled nylon polymer

STANDARDS AND APPROVALS

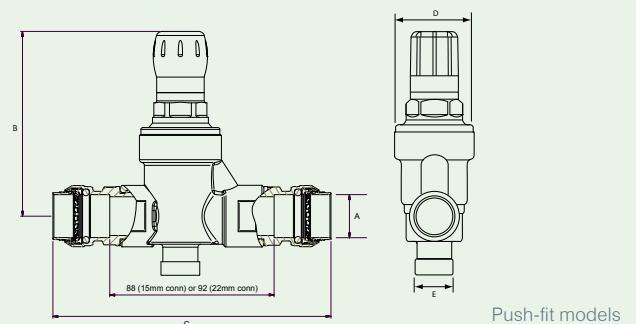
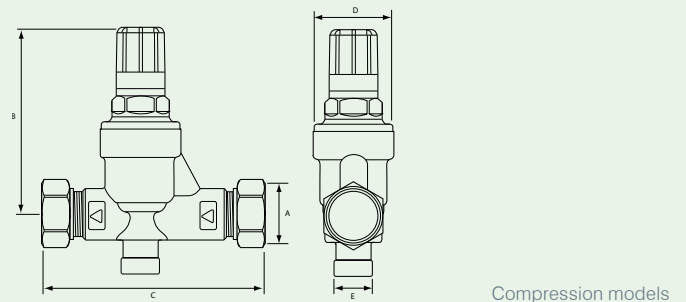
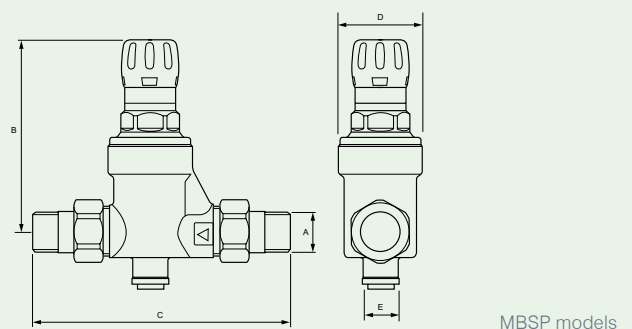
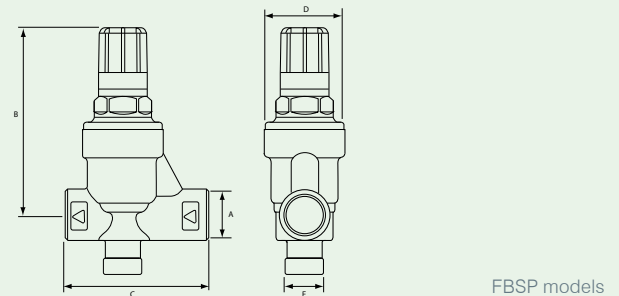
- WRAS Approved
- DVGW
- BSEN 1567

FLOW RATES



DIMENSIONS

All measurements in mm unless otherwise stated



Product Code	A	B	C	D	E
PRED320001 / PRED320050	1/2" FBSP	97	72	42	1/2" FBSP
PRED320005 / PRED320055	3/4" FBSP	97	74	42	1/2" FBSP
PRED320003 / PRED320051	1/2" MBSP union	97	130	42	1/2" FBSP
PRED320011 / PRED320056	3/4" MBSP union	97	142	42	1/2" FBSP
PRED320010 / PRED320060	15mm comp	97	86	42	1/2" FBSP
PRED320015 / PRED320065	22mm comp	97	88	42	1/2" FBSP
SBPRED320001 / SBPRED320050	15mm push-fit	97	131	42	1/2" FBSP
SBPRED320005 / SBPRED320055	22mm push-fit	97	143	42	1/2" FBSP